



**120x120x38 mm/4.7x1.5 inch, 123~68 CFM**

**TD1238AN General specification**



- Motor: Brushless DC, auto cutoff, auto restart, locking & polarity protection
- Motor Protection:
- Frame: Aluminum die cast, natural color treatment(AN) Option: Black color cosmetics(AP)
- Impeller: Glass fiber reinforced thermoplastic impeller, rated UL94V-0
- Bearing: Two high precision permanently lubricated ball bearings
- Rotation: CCW looking at rotor, air inlet side of housing, air outlet from struts
- Operating Temp: Ambient non-condensing allowable thermal range -15 - +65C
- Storage Temp:
- Life Expectancy: Indoor free air running test MTBF 100K hours at 35C, 50K hours at 65C
- Dielectric Strength: 500 VAC/sec. Max leakage 500 micro amp
- Connection: Wire lead or Terminal flat pin connecting for choice
- Weight: 320 g (0.71 Lbs)

Model	Rated Voltage	Voltage Range	Input Power	Rated Current	Ref. Speed	Max Airflow	Max Pressure		Noise	
	VDC	VDC	W	A	RPM	CFM	Inch/H2O	mm		
TD1238AN-HHH-5	5	4-6	9.5	1.9	3800	120	3.40	0.51	12.95	47
TD1238AN-HH-5	5	4-6	8	1.6	3400	105	2.97	0.45	11.43	44
TD1238AN-H-5	5	4-6	3.5	0.65	2900	87	2.46	0.30	7.62	41
TD1238AN-M-5	5	4-6	3.0	0.55	2400	75	2.12	0.20	5.08	33
TD1238AN-L-5	5	4-6	2.0	0.40	2000	68	1.93	0.15	3.81	28
TD1238AN-HHH-12	12	7-13.8	10.6	0.88	4000	123	3.48	0.53	13.46	49
TD1238AN-HH-12	12	7-13.8	8.4	0.7	3500	108	3.06	0.47	11.94	46
TD1238AN-H-12	12	7-13.8	6.0	0.50	3000	90	2.55	0.32	8.13	43
TD1238AN-M-12	12	7-13.8	4.8	0.40	2500	77	2.18	0.22	5.59	32
TD1238AN-L-12	12	7-14	2.4	0.20	2000	68	1.93	0.15	3.81	25
TD1238AN-HHH-24	24	10-26	10.3	0.43	4000	123	3.48	0.53	13.46	49
TD1238AN-HH-24	24	10-26	8.4	0.35	3500	108	3.06	0.47	11.94	46
TD1238AN-H-24	24	10-26	5.5	0.23	3100	93	2.63	0.31	7.87	44
TD1238AN-M-24	24	10-27	4.6	0.19	2500	77	2.18	0.22	5.59	32
TD1238AN-L-24	24	12-27.6	3.6	0.15	2000	68	1.93	0.15	3.81	25
TD1238AN-HHH-48	48	22-55	10.6	0.22	4000	123	3.48	0.53	13.46	49
TD1238AN-HH-48	48	22-55	7.7	0.16	3500	108	3.06	0.47	11.94	46
TD1238AN-H-48	48	22-55	5.0	0.10	3100	105	2.97	0.54	13.72	45
TD1238AN-M-48	48	22-55.2	3.8	0.08	2500	77	2.18	0.22	5.59	32
TD1238AN-L-48	48	24-56	3.4	0.07	2000	68	1.93	0.15	3.81	25

**Related Product Information**

Please see our related items below for suggested products to use with this item:

- Metal Fan Guard: TWG-120
- Plastic Fan Guard: TPG-120
- Plastic Fan Filter: TFK-120-30, TFK-120-45
- Metal Fan Screen: TMS-120

**Related Technical Information**

-Optional Function Leads:

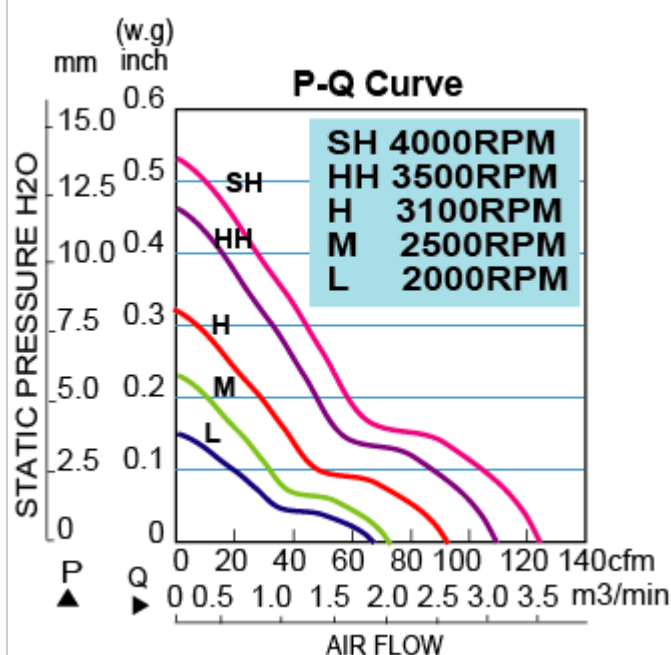
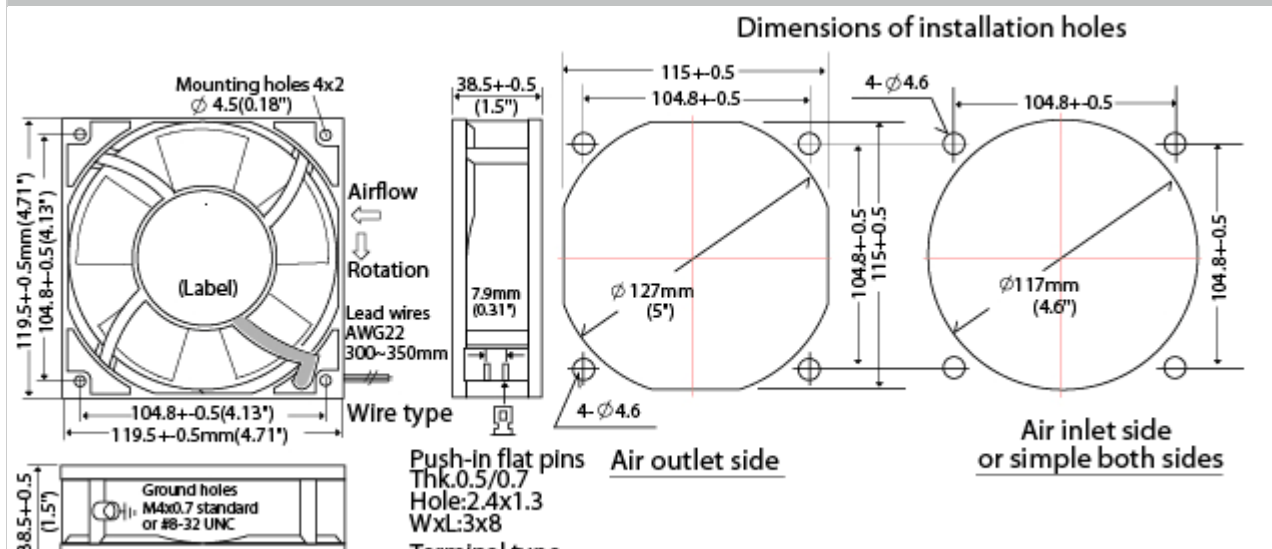
\*Alarm, motor stop, cutoff sensor signals (L, run-Low, stop-High for alarm function, color yellow lead)

\*Tach speed sensor output, open collector, 2 square waves per revolution, or TTL 4.4~5 VDC optional (T, white lead)

\*Speed control:

- H, NTC thermistor thermal control 1800~3400RPM/4.7~10K ohm vs 45~20C(H,orange lead)
- P Pulse Width Modulation, microprocessor programmable CPU speed control,10~100%, full stop & 10 speed stages; 800~3800RPM (P purple lead)
- V, Control voltage speed setting, Analog 0~10V vs speed RPM speed control via separate DC low voltage interface (V, gray lead)

**Fan Performance Curves and Dimension**



\* TEI reserves the right to change data and specs without notice\* Tests are at nominal rated voltage against zero static pressure\*Specifications subject to change without notice, data tolerance +-10%